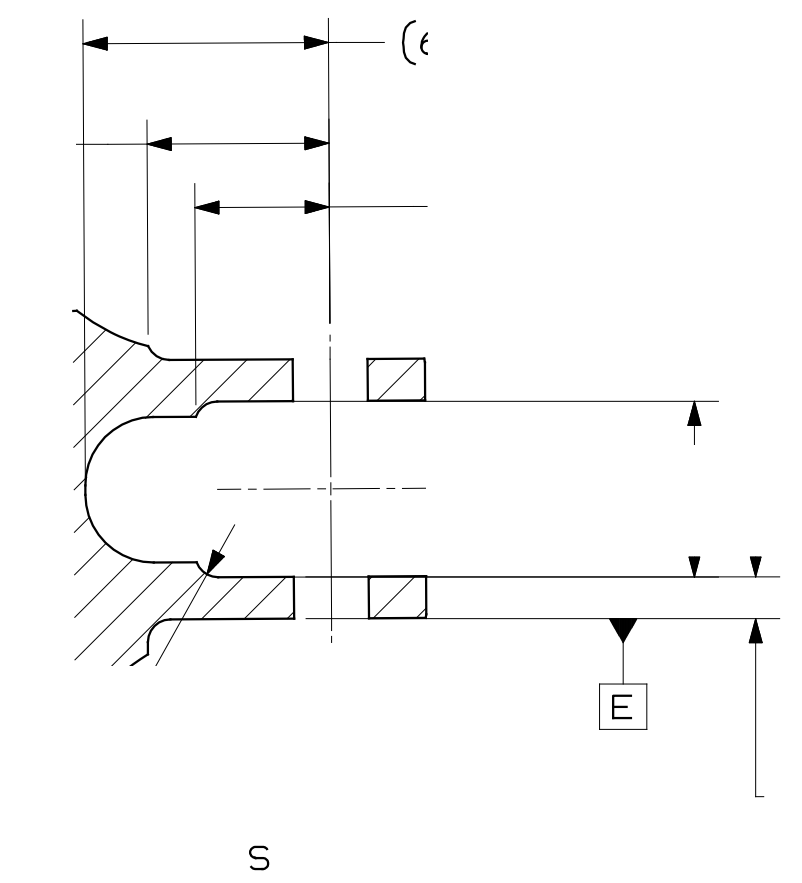
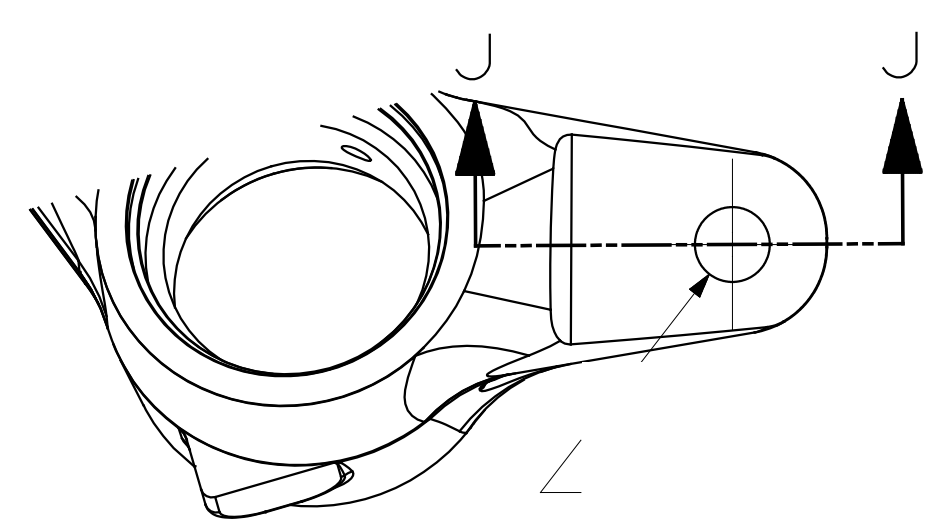
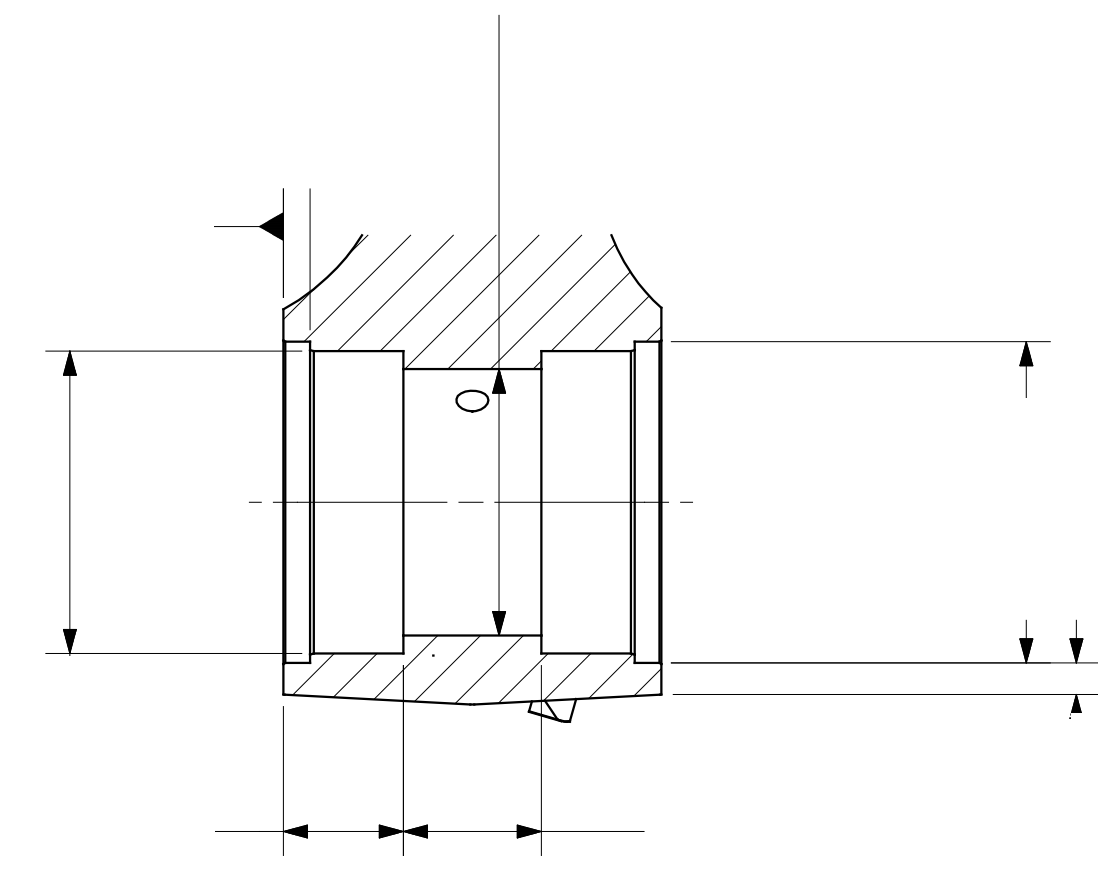
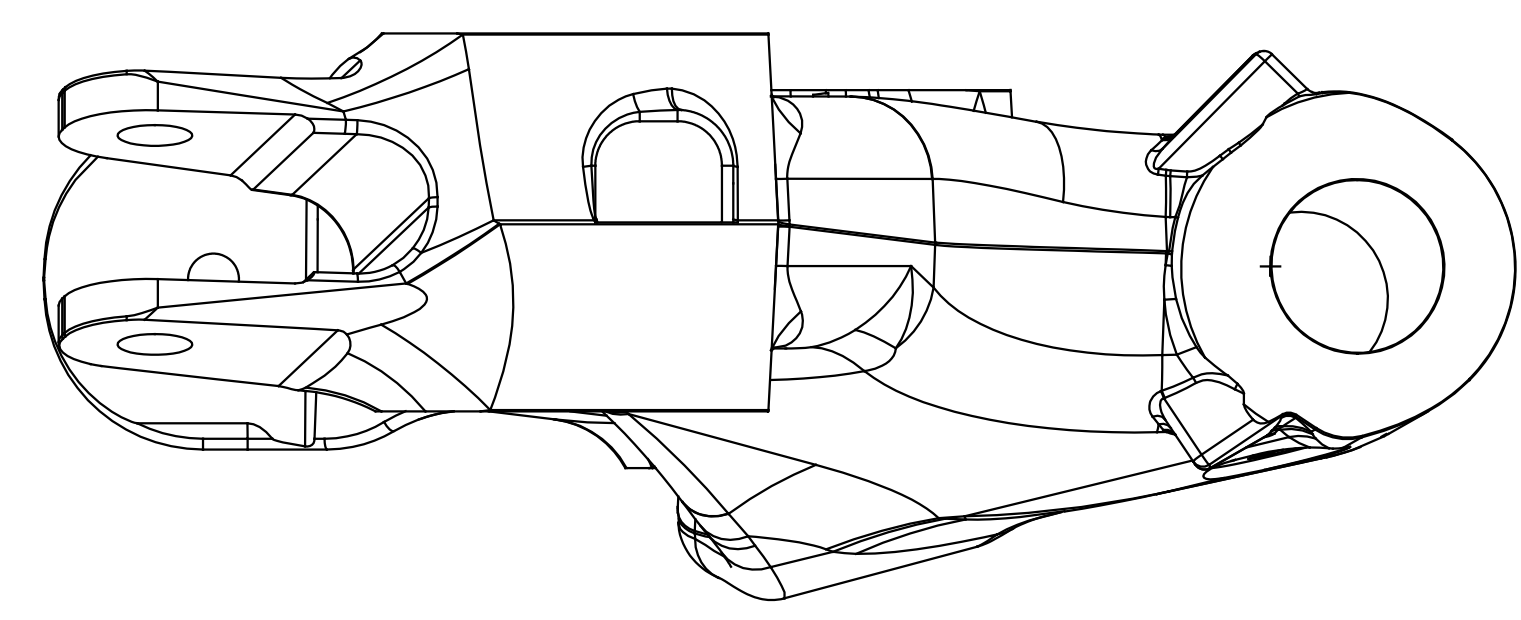
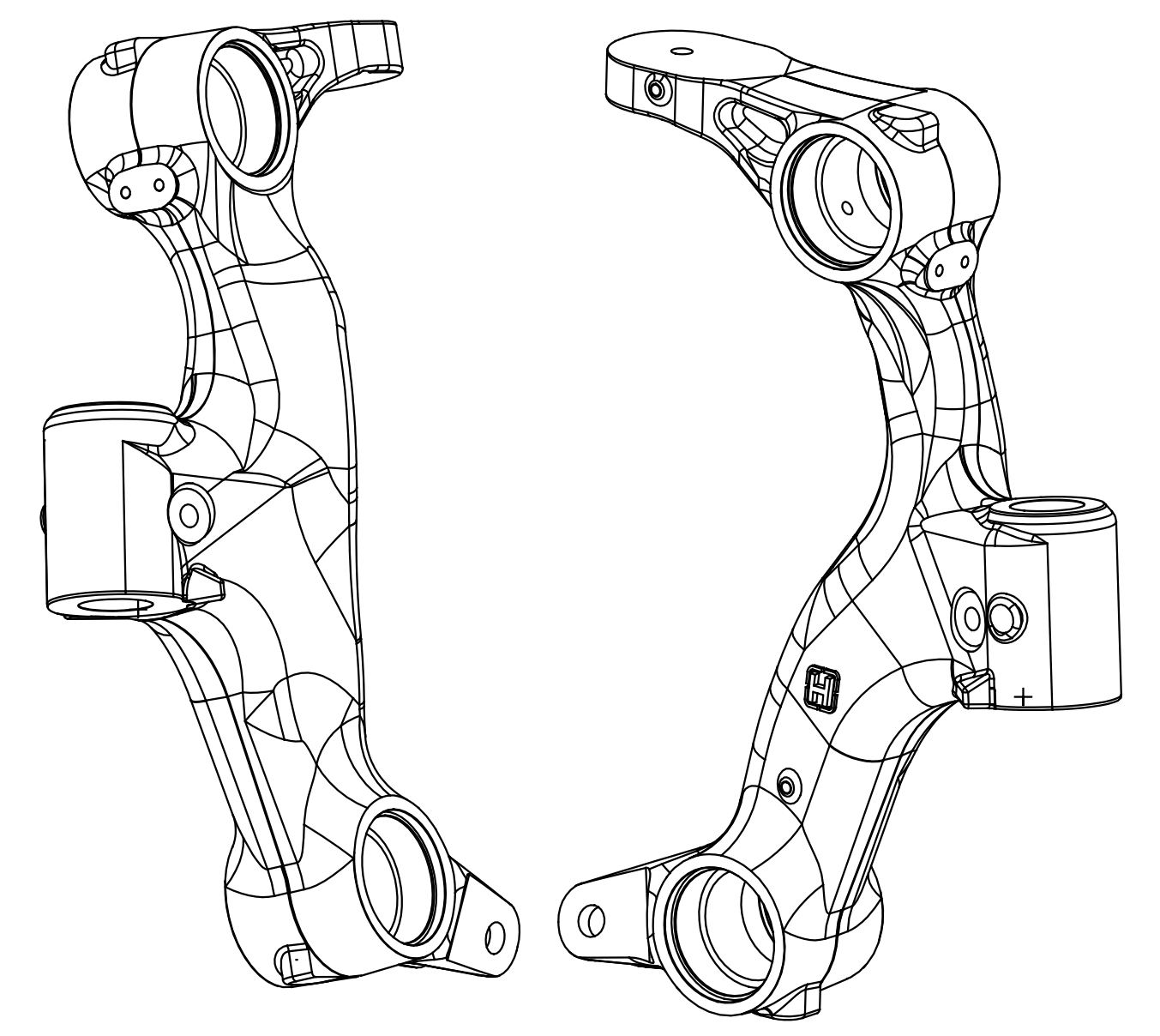
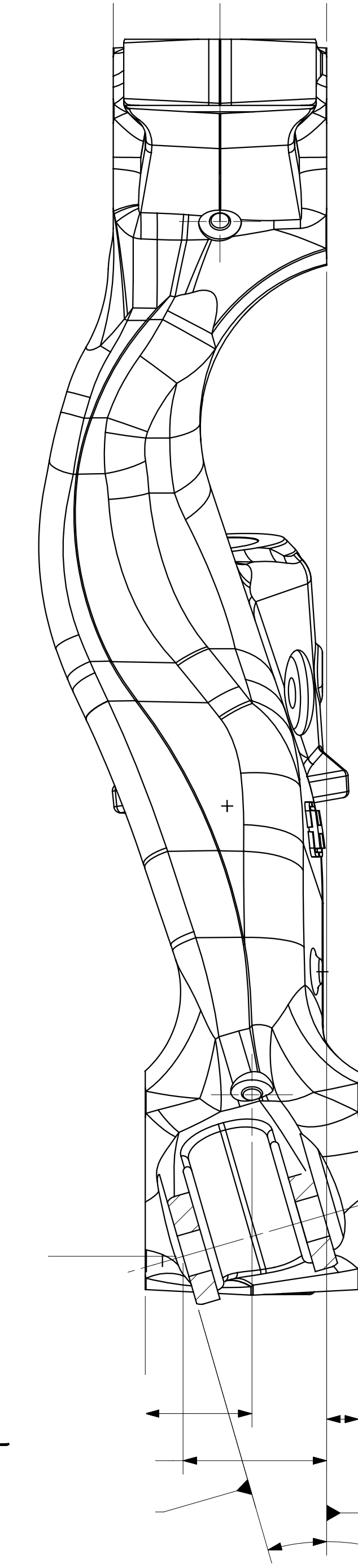
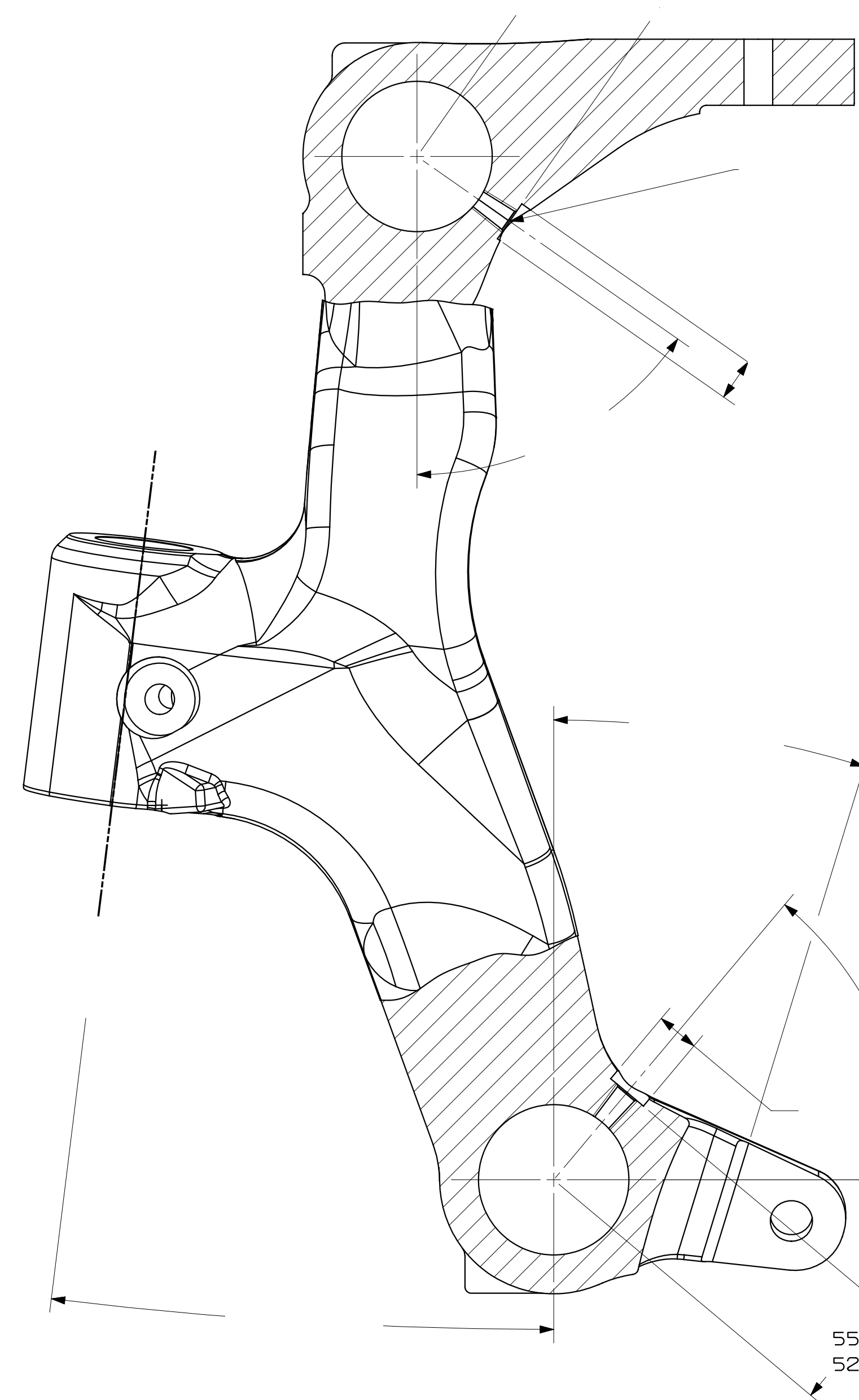
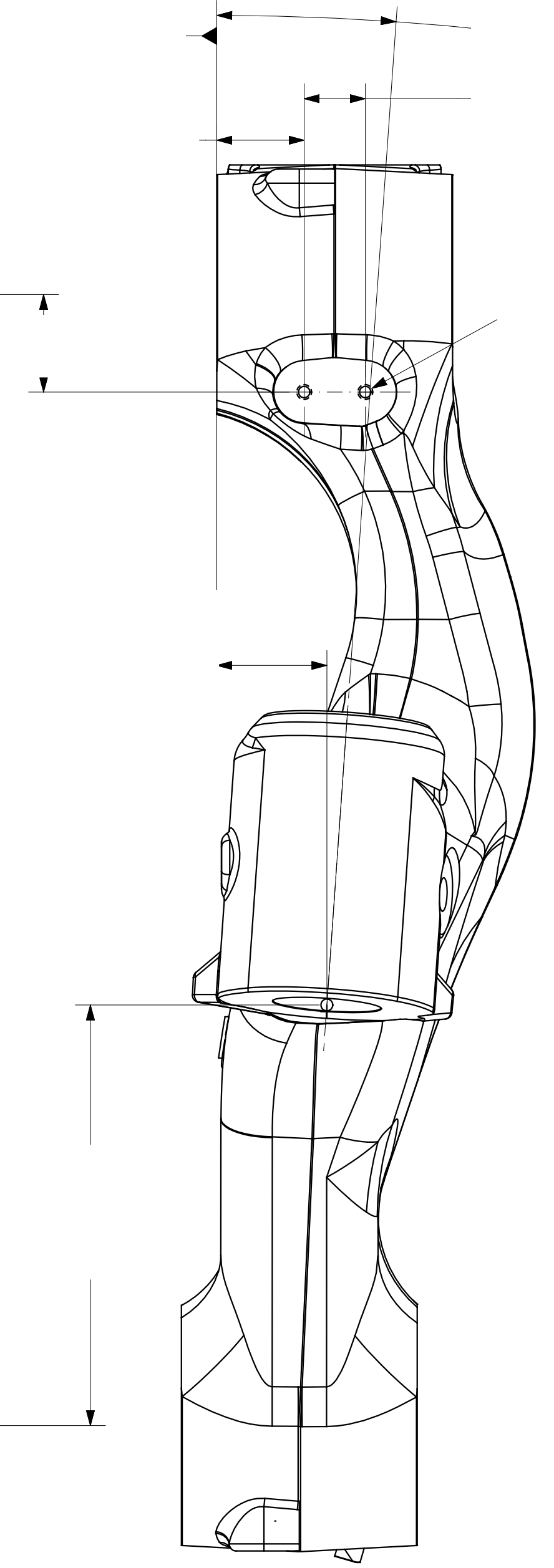
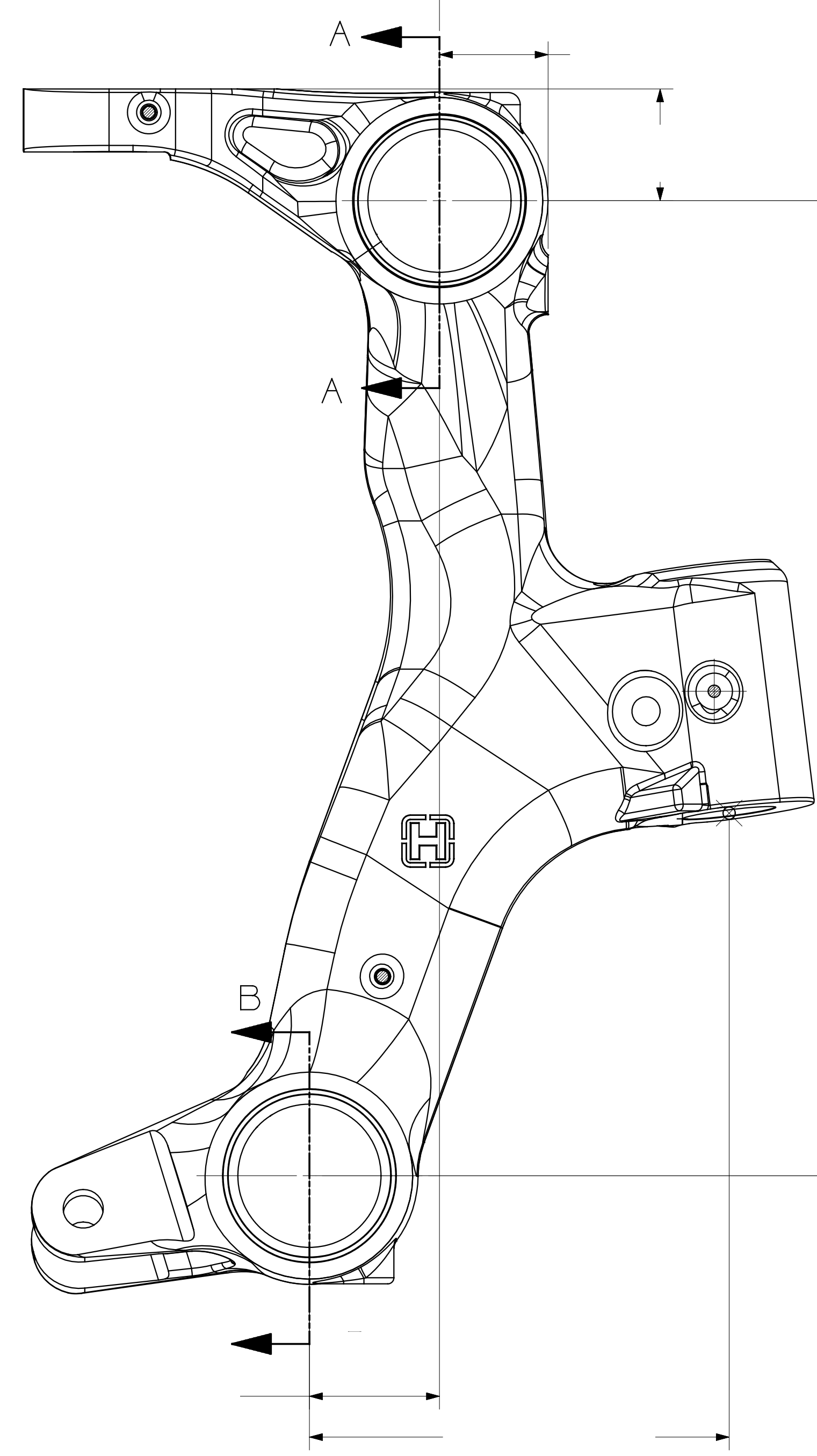
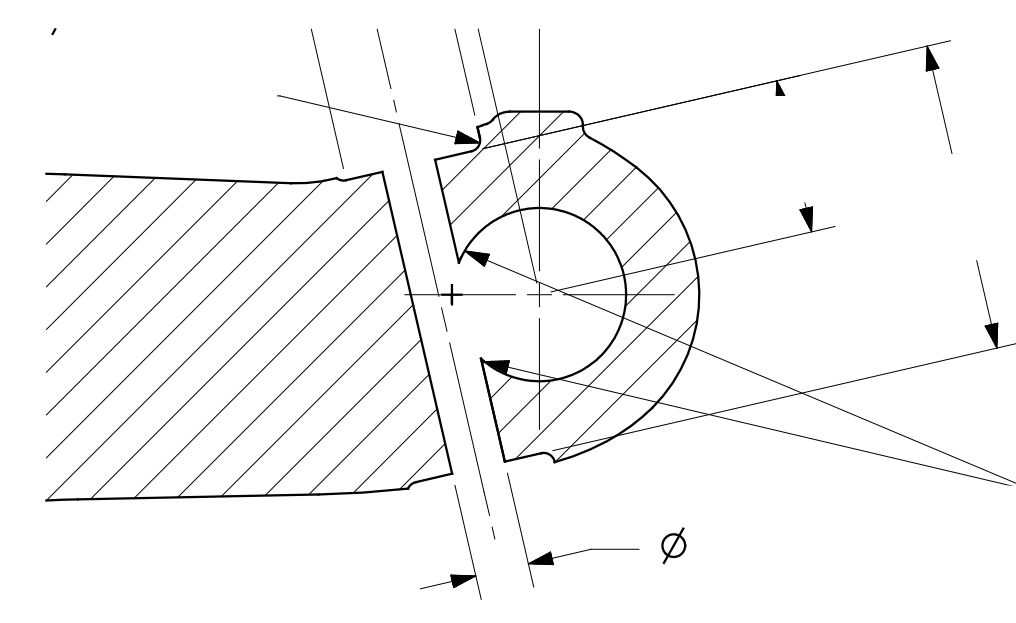
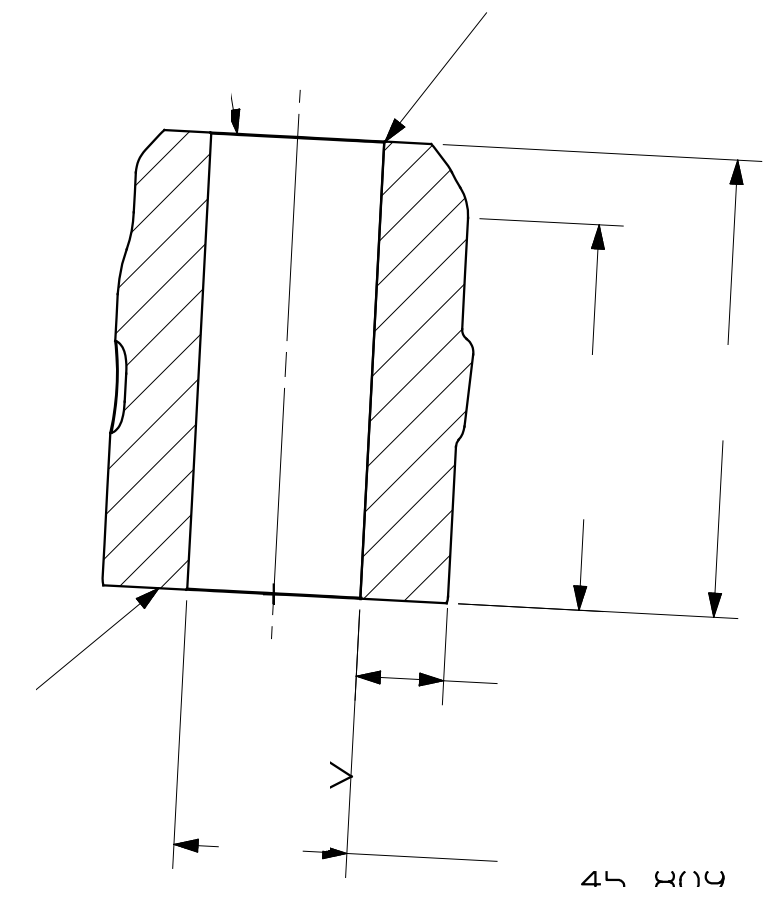
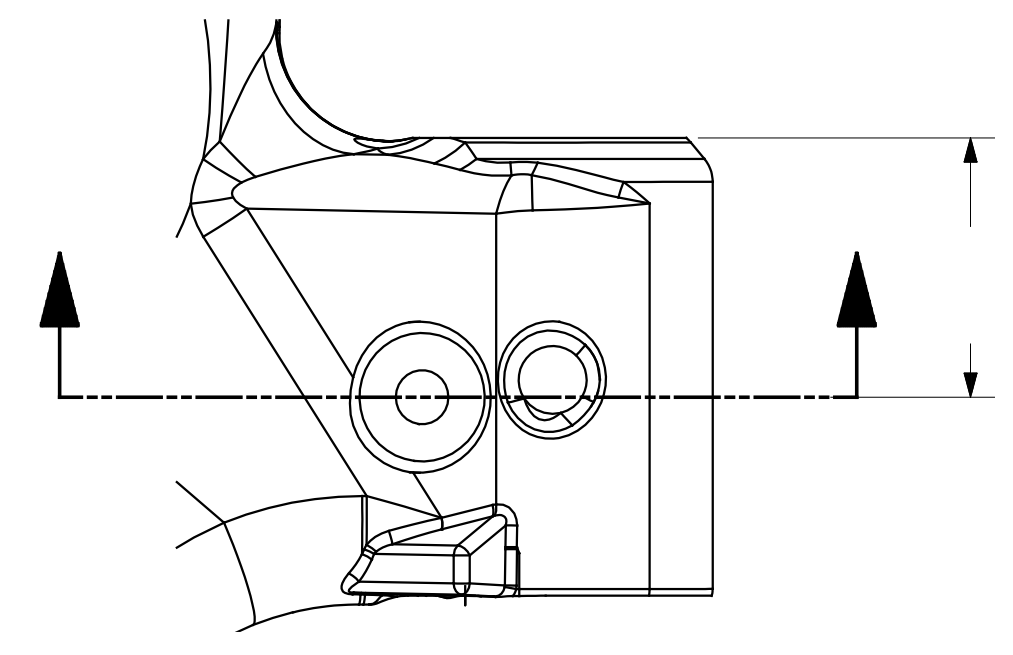
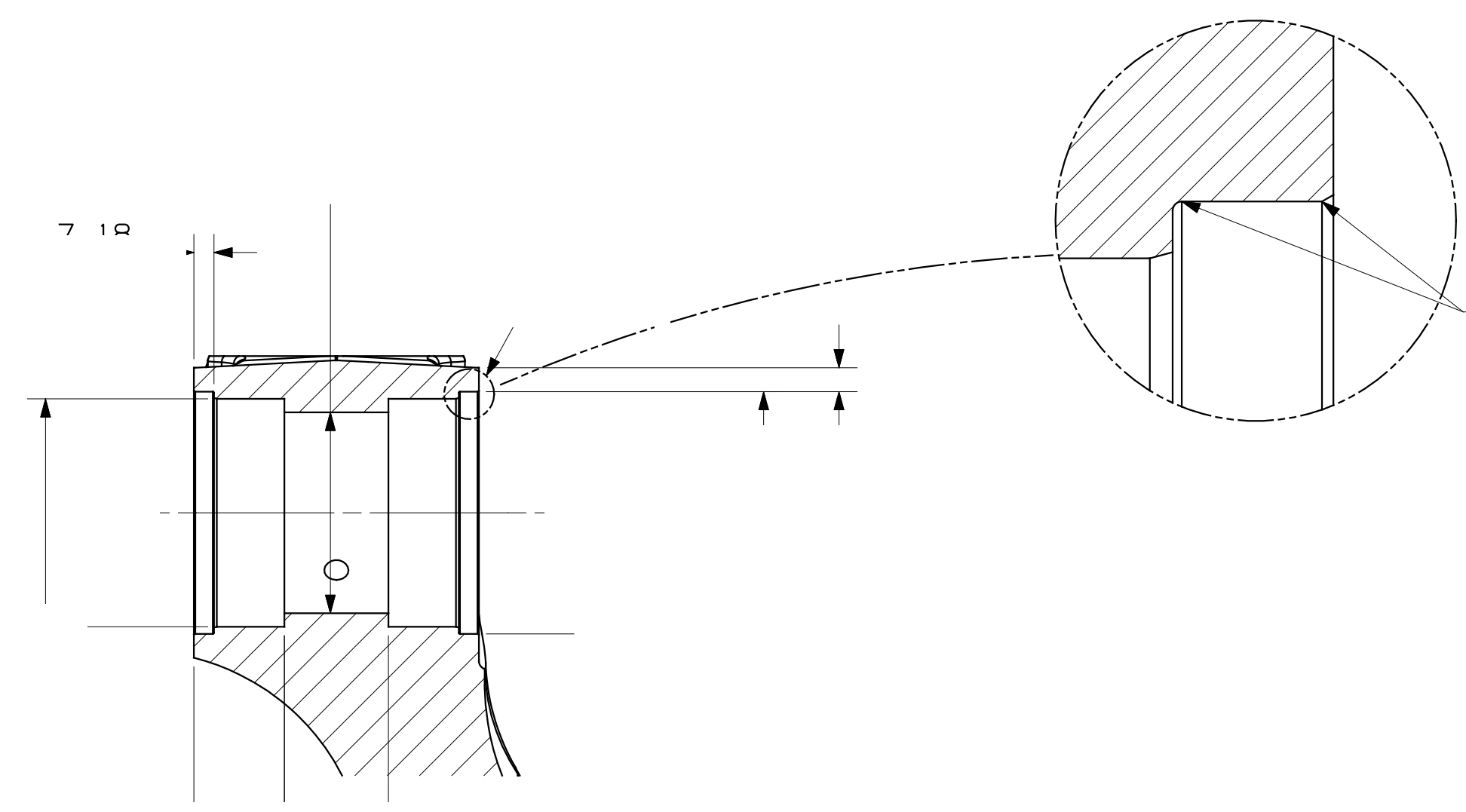
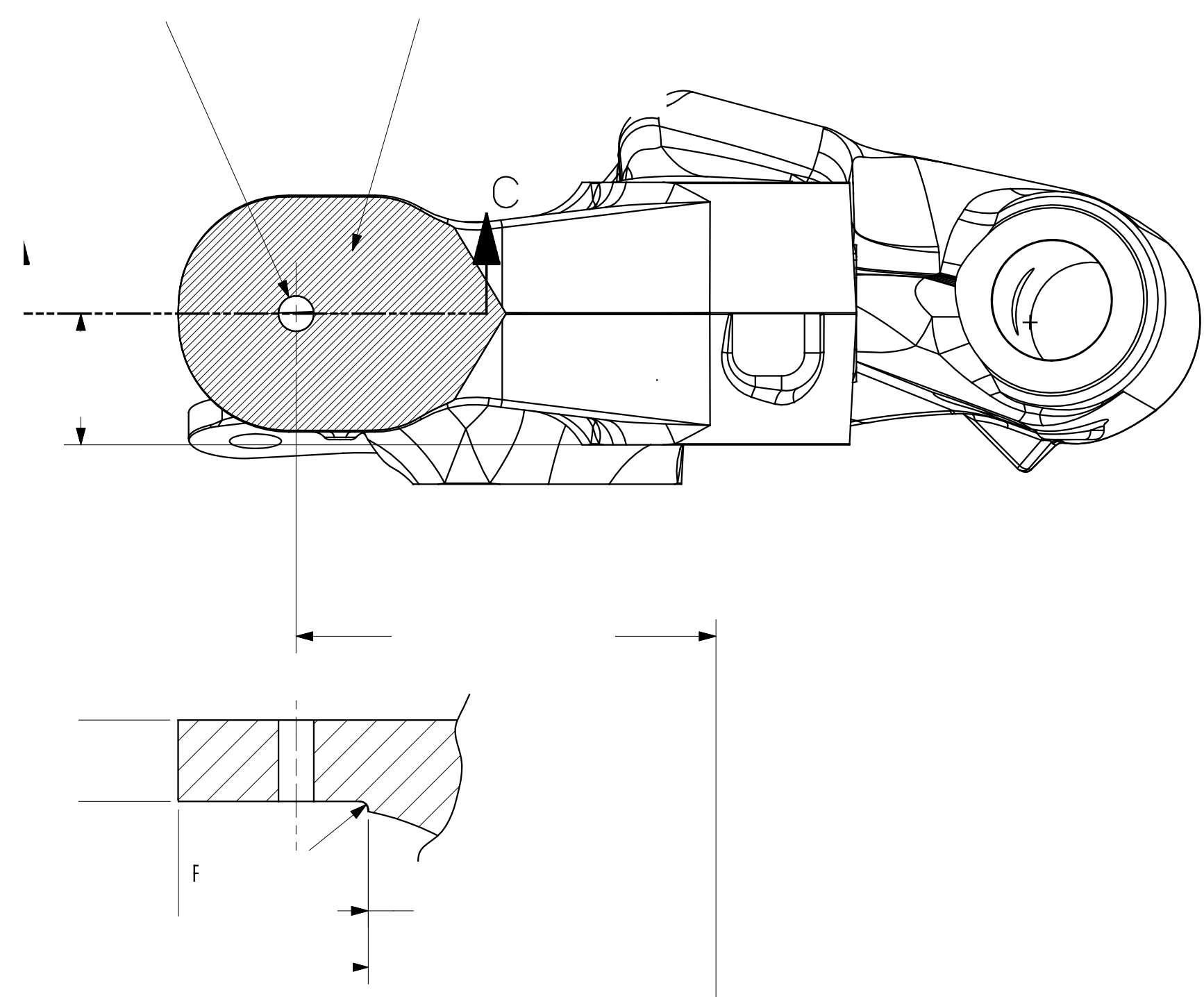


14 13 12 11 10 9 8 7 6 5 4 3 2 1

L
K
J
H
G
F
E
D
C
B
A

L
K
J
H
G
F
E
D
C
B
A



CAD FILE UPDATE ON CAD SYSTEM ONLY
 UNLESS OTHERWISE NOTED, DIMENSIONS AND TOLERANCES ARE DEFINED IN MILL METERS IN ACCORDANCE WITH ASME STANDARD Y14.5M - 1994
 METRIC

IFS LH & RH UPRIGHT MACHINING
 068330-SHT001
 SHEET NO. 1
 DWG. SIZE E

14 13 12 11 10 9 8 7 6 5 4 3 2 1